

Atlas-X1™ Cat 6A Component-Rated UTP QuickPort® Connector

APPLICATION

The Atlas-X1 Cat 6A Component-Rated UTP QuickPort Connector supports 10GBASE-T networks. The connector is part of a complete Atlas-X1 Cat 6A UTP system, ideal for the most demanding mission-critical network applications. The connector supports emerging technologies and will easily adapt to network trends.



SPECIFICATION

The connector shall meet or exceed all requirements for Category 6A as described in ANSI/TIA-568-C.2, as well as Class E_A requirements as described in ISO/IEC 11801. The connector shall comply with all National Electrical Codes, be compliant with ANSI/TIA-1096-A, be UL listed, and be independently verified. The connector body shall be made of die-cast zinc and all plastic components shall be made of high-impact, fire-retardant plastic rated UL 94V-0. The connector shall support tool-free termination/re-termination and shall not require a specialized termination tool. The connector wiring shall be universal to accommodate T568A and T568B wiring schemes. The connector shall be available in 13 colors; more than established by the ANSI/TIA-606 standard. The connector shall be supplied with interchangeable icons, and be offered in shuttered and standard styles. It shall support Power over Ethernet up to 100 watts.

DESIGN CONSIDERATIONS

- Use in any QuickPort housing to support Cat 6A UTP connectivity in surface-mount, flush-mount, or modular furniture outlets and field-configurable panels
- Can be used in conjunction with other QuickPort snap-in modules for voice/data/video applications over UTP, coax, and fiber
- To identify ports, use different colored modules and icons for each application (full selection of ANSI/TIA-606 compatible colors, 13 available)
- Robust housing and shutter protects the connector in harsh environments

FEATURES

- Independently tested and guaranteed to exceed all component, permanent link, and channel margins
- Patented Retention Force Technology (RFT) protects against time damage and increases system longevity
- For Power over Ethernet, RFT maintains contact force between plug and connector, preventing arcing from intermittent disconnects
- Unique design supports tool-free termination/re-termination and requires no specialized termination tool
- Short connector design supports a wider range of applications (e.g. shallow boxes, enclosures, bend radius, etc.)
- Terminates from 26 to 22-gauge solid or stranded conductors for use on various cable types
- Robust IDCs can withstand 20 re-termination cycles and connector contacts are tested for 750 plug-mating cycles to ensure system longevity
- Available in 13 ANSI/TIA-606-B compatible colors
- Tested and approved for use in air-handling spaces (plenum rating) in accordance with UL Standard 2043
- Connector supplied with interchangeable icons (voice, data, A/V, and blank, color coded to match the connector face) for easy identification and tracking of data, voice, or other functions
- Connector with internal shutter protects against dust and debris
- Solid metal body dissipates 53% more heat than plastic, minimizing damage from excess heat in PoE applications
- Tine geometry prevents arcing damage where plug and connector make contact

STANDARDS COMPLIANCE

- ANSI/TIA-568-C.2 (Cat 6A)
- IEC 60603-7
- IEC 60512-99-001
- ISO/IEC 11801 Class E_A
- UL 2043 Plenum Certified
- cULus Listed
- RoHS 2
- ANSI/TIA-1096-A (formerly FCC Part 68)
- IEEE 802.3at (Type 1) PoE up to 15.4 watts
- IEEE 802.3at (Type 2) PoE+ up to 30 watts
- IEEE Draft 802.3bt (Type 3) PoE+ up to 60 watts
- IEEE Draft 802.3bt (Type 4) PoE+ up to 100 watts
- Cisco Universal Power Over Ethernet (UPOE) up to 60 watts
- Power over HDBaseT™ (POH) up to 100 watts

PHYSICAL SPECIFICATIONS

Dimensions: See page two
 Materials: **Connector Body:** Die-cast zinc
Spring-Wire Contacts: High-quality, copper-based alloy, plated with 50 micro-inches of gold for lowest contact resistance and maximum life
 Environmental Conditions: **Storage Temperature:** -40 °C to +70 °C
Operating temperature: -10 °C to +60 °C

Page 1 of 2

Leviton Network Solutions 2222 - 222nd St. SE Bothell, WA 98021-4416 tel 1-800-824-3005 tel +1-425-486-2222 appeng@leviton.com www.leviton.com	Asia / Pacific T +1.631.812.6228 E infoasean@leviton.com	Canada T +1.514.954.1840 E pcservice@leviton.com	Caribbean T +1.954.593.1896 E infocaribbean@leviton.com	China T +852.2774.9876 E infochina@leviton.com	Colombia T +57.1.743.6045 E infocolombia@leviton.com
	Europe T +44.0.1592.772124 E customerservice@brand-rex.com	India / SAARC T +971.4.886.4722 E infoindia@leviton.com	Mexico T +52.55.5082.1040 E lsamarketing@leviton.com	Middle East & Africa T +971.4.886.4722 E lmeinfo@leviton.com	South Korea T +82.2.3273.9963 E infokorea@leviton.com

COUNTRY OF ORIGIN

USA

WARRANTY INFORMATION

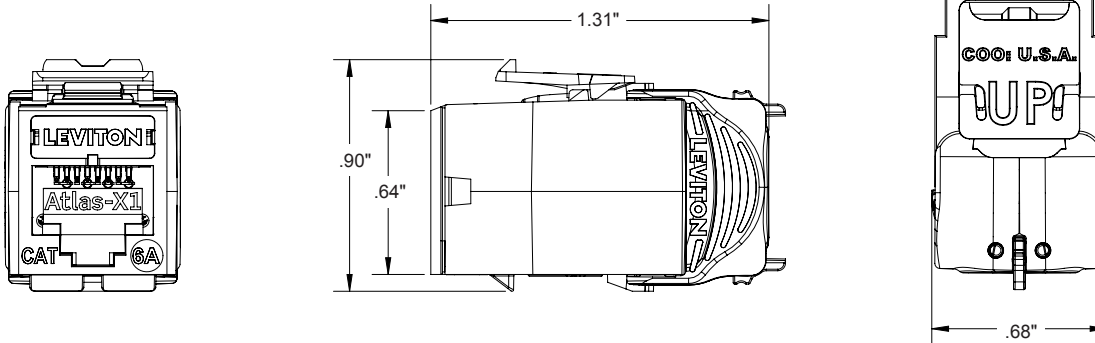
Limited Product and Limited Extended Warranties are rendered VOID if the installed structured cabling system is used for PoE applications that exceed the product's specified power rating.

For a copy of Leviton product warranties, visit www.leviton.com/warranty.

ELECTRONIC FILES

For CAD files, typical specs, or technical drawings (.DXF, .DWG), visit www.leviton.com.

6AUJK-xx6, ICONS-ICx



PART NUMBERS

Description	Standard Connector	Connector w/ Shutters
Atlas-X1™ Cat 6A Component-Rated UTP QuickPort® Connector, white	6AUJK-RW6	6AUJK-SW6
Atlas-X1 Cat 6A Component-Rated UTP QuickPort Connector, light almond	6AUJK-RT6	6AUJK-ST6
Atlas-X1 Cat 6A Component-Rated UTP QuickPort Connector, ivory	6AUJK-RI6	6AUJK-SI6
Atlas-X1 Cat 6A Component-Rated UTP QuickPort Connector, yellow	6AUJK-RY6	6AUJK-SY6
Atlas-X1 Cat 6A Component-Rated UTP QuickPort Connector, orange	6AUJK-RO6	6AUJK-SO6
Atlas-X1 Cat 6A Component-Rated UTP QuickPort Connector, crimson	6AUJK-RC6	6AUJK-SC6
Atlas-X1 Cat 6A Component-Rated UTP QuickPort Connector, dark red	6AUJK-RR6	6AUJK-SR6
Atlas-X1 Cat 6A Component-Rated UTP QuickPort Connector, purple	6AUJK-RP6	6AUJK-SP6
Atlas-X1 Cat 6A Component-Rated UTP QuickPort Connector, blue	6AUJK-RL6	6AUJK-SL6
Atlas-X1 Cat 6A Component-Rated UTP QuickPort Connector, green	6AUJK-RV6	6AUJK-SV6
Atlas-X1 Cat 6A Component-Rated UTP QuickPort Connector, grey	6AUJK-RG6	6AUJK-SG6
Atlas-X1 Cat 6A Component-Rated UTP QuickPort Connector, black	6AUJK-RE6	6AUJK-SE6
Atlas-X1 Cat 6A Component-Rated UTP QuickPort Connector, brown	6AUJK-RB6	6AUJK-SB6

Color-matched icons (ICONS-ICx) can be ordered separately in 72-quantity packs.
Bulk wire managers (AXUJK-BWM) can be ordered separately in 10-quantity packs.
x = color



Leviton Network Solutions
2222 - 222nd St. SE
Bothell, WA 98021-4416

Asia / Pacific
T +1.631.812.6228
E infoasean@leviton.com

Canada
T +1.514.954.1840
E pcservice@leviton.com

Caribbean
T +1.954.593.1896
E infocaribbean@leviton.com

China
T +852.2774.9876
E infochina@leviton.com

Colombia
T +57.1.743.6045
E infocolombia@leviton.com

tel 1-800-824-3005
tel +1-425-486-2222
appeng@leviton.com
www.leviton.com

Europe
T +44.0.1592.772124
E customerservice@brand-rex.com

India / SAARC
T +971.4.886.4722
E infoindia@leviton.com

Mexico
T +52.55.5082.1040
E lsamarketing@leviton.com

Middle East & Africa
T +971.4.886.4722
E lmeinfo@leviton.com

South Korea
T +82.2.3273.9963
E infokorea@leviton.com