

## Two-Post Telecommunication Racks and Accessories

4T100-2xx, 4T300-xSH



4T100-245



4T100-221

### FEATURES

- Racks accept equipment designed for 19-inch (482.6 mm) EIA-310-E telecommunication mounting
- Racks accept #12-24 thread fasteners
- Racks include RU labeling, starting from base of rack
- Shelves available in solid and vented designs

### DESIGN CONSIDERATIONS

- Seven-foot rack contains 45 rack units, and four-foot rack contains 21 rack units
- Racks and shelves include eight rack screws

### STANDARDS COMPLIANCE

- ANSI/TIA-568-C
- EIA-310-E

### PHYSICAL SPECIFICATIONS

Dimensions: See page two  
 Materials: Racks: aluminum  
 Shelves: steel

### COUNTRY OF ORIGIN

Mexico

### WARRANTY INFORMATION

For a copy of Leviton product warranties, visit [www.leviton.com/warranty](http://www.leviton.com/warranty).

### SPECIFICATION

Two-post telecommunication racks shall be available in 45RU and 21RU sizes, with threaded holes to accept #12-24 fasteners. Racks shall be manufactured from aluminum. Rack units shall be labeled, with the lowest number starting at the bottom. Solid and vented shelves shall be available as accessories for mounting to the racks. Shelves shall be manufactured from steel.



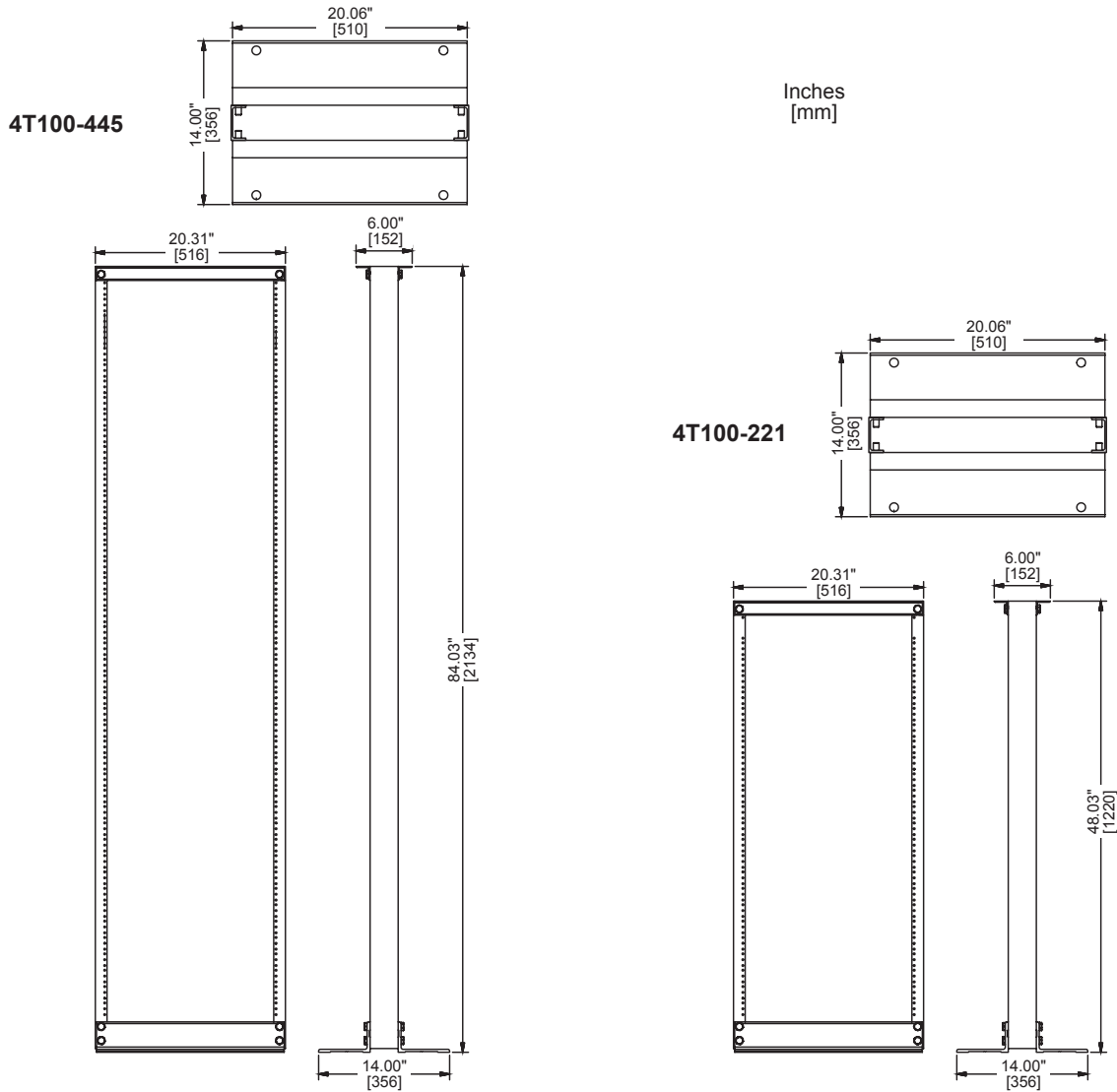
4T300-SSH



4T300-VSH

**ELECTRONIC FILES**

For CAD files, typical specs, or technical drawings (.DXF, .DWG), visit [www.leviton.com](http://www.leviton.com).



**4T100-2XX, 4T300-XSH**

**PART NUMBERS**

Description	Part No.
Two-Post Telecommunications Rack, 45RU, black, 7 feet (2134 mm)	4T100-245
Two-Post Telecommunications Rack, 21RU, black, 4 feet (1220 mm)	4T100-221
Solid Shelf, black, 2RU, 19-inch (482.6 mm) rack mounting	4T300-SSH
Vented Shelf, black, 2RU, 19-inch (482.6 mm) rack mounting	4T300-VSH



**Leviton Network Solutions**  
 2222 - 222nd St. SE  
 Bothell, WA 98021-4416

**Asia / Pacific**  
 T +1.631.812.6228  
 E [infoasean@leviton.com](mailto:infoasean@leviton.com)

**Canada**  
 T +1.514.954.1840  
 E [pcservice@leviton.com](mailto:pcservice@leviton.com)

**Caribbean**  
 T +1.954.593.1896  
 E [infocaribbean@leviton.com](mailto:infocaribbean@leviton.com)

**China**  
 T +852.2774.9876  
 E [infochina@leviton.com](mailto:infochina@leviton.com)

**Colombia**  
 T +57.1.743.6045  
 E [infocolombia@leviton.com](mailto:infocolombia@leviton.com)

tel 1-800-824-3005  
 tel +1-425-486-2222  
[appeng@leviton.com](mailto:appeng@leviton.com)  
[www.leviton.com](http://www.leviton.com)

**Europe**  
 T +33.6.8869.1380  
 E [infoeurope@leviton.com](mailto:infoeurope@leviton.com)

**India / SAARC**  
 T +91.80.4322.5678  
 E [infoindia@leviton.com](mailto:infoindia@leviton.com)

**Mexico**  
 T +52.55.5082.1040  
 E [lsamarketing@leviton.com](mailto:lsamarketing@leviton.com)

**Middle East & Africa**  
 T +971.4.886.4722  
 E [lmeinfo@leviton.com](mailto:lmeinfo@leviton.com)

**South Korea**  
 T +82.2.3273.9963  
 E [infokorea@leviton.com](mailto:infokorea@leviton.com)